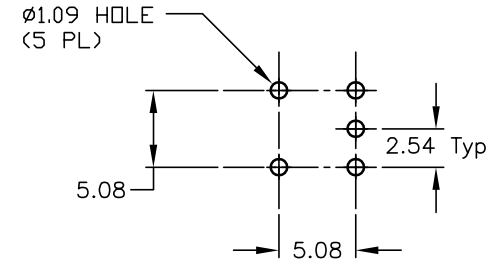
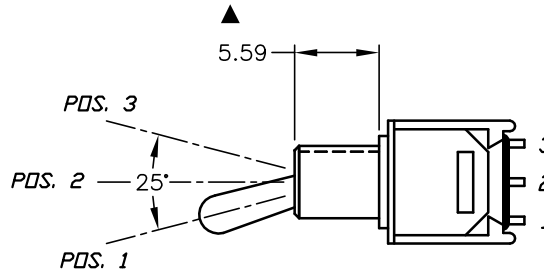
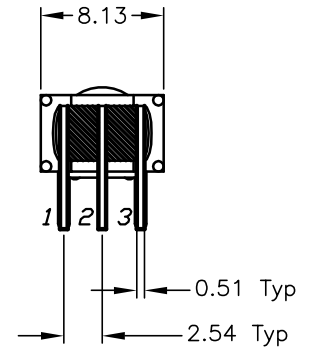
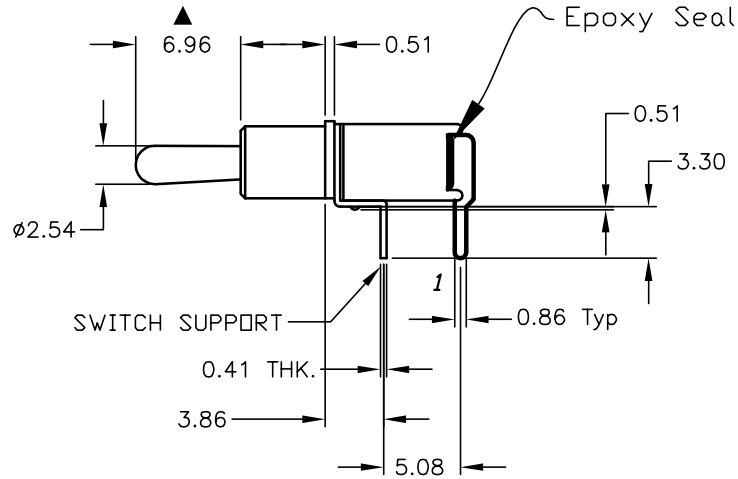
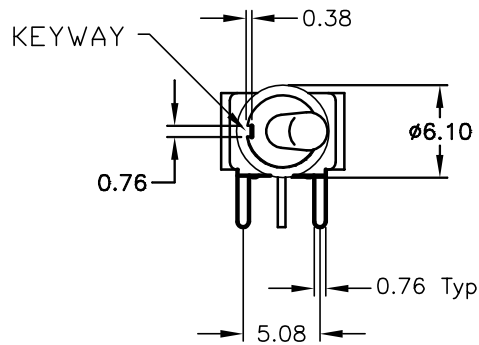


CIRCUIT: SPDT

SWITCH FUNCTION		
PDS. 1	PDS. 2	PDS. 3
ON	NONE	ON
2-3	OPEN	2-1



RECOMMENDED P.C.B LAYOUT



NOTES:

- ALL DIMENSIONS IN MM
- GENERAL TOLERANCE: X.X=±0.4
X.XX=±0.25
- TERM. NOS. FOR REF. ONLY
- CONTACT RATING: 0.4VA MAX. @20 VAC OR DC
- FIXED TERMINAL & MOVING CONTACT: GOLD PLATE OVER NICKLE PLATE
- ELECTRIC LIFE: 30,000 make-and-break cycles at full load.
- INSULATION RESISTANCE: 1,000 M ohm min.
- DIELECTRIC STRENGTH: 1,000 V RMS @sea level.
- OPERATING TEMP.: -30°C to 85°C
- ▲ DENOTES CRITICAL PARAMETER.

E-SWITCH®

TITLE		200MSP1T3B4M6RE		
SCALE	DATE	DR	DWG	REV
2:1	11/26/03	AR	T211040	A

A	13628	RELEASED FOR PRODUCTION	11/26/03	AR
REV.	ECN No.	DESCRIPTION	DATE	CHKD

THE INFORMATION CONTAINED IN THIS DOCUMENT IS PROPRIETARY TO E-SWITCH AND IS NOT TO BE COPIED OR TRANSFERRED